



Presto Stantest Pvt. Ltd.

I-42, DLF Industrial Area Phase-1, Delhi Mathura Road, Faridabad 121003, Haryana, India
P : 9210 903 903, +91 129 4272727, 93111 24302 E : info@prestogroup.com

- Faridabad • Kolkata • Mumbai • Pune • Ahmedabad
- Chennai • Bangalore • Hyderabad

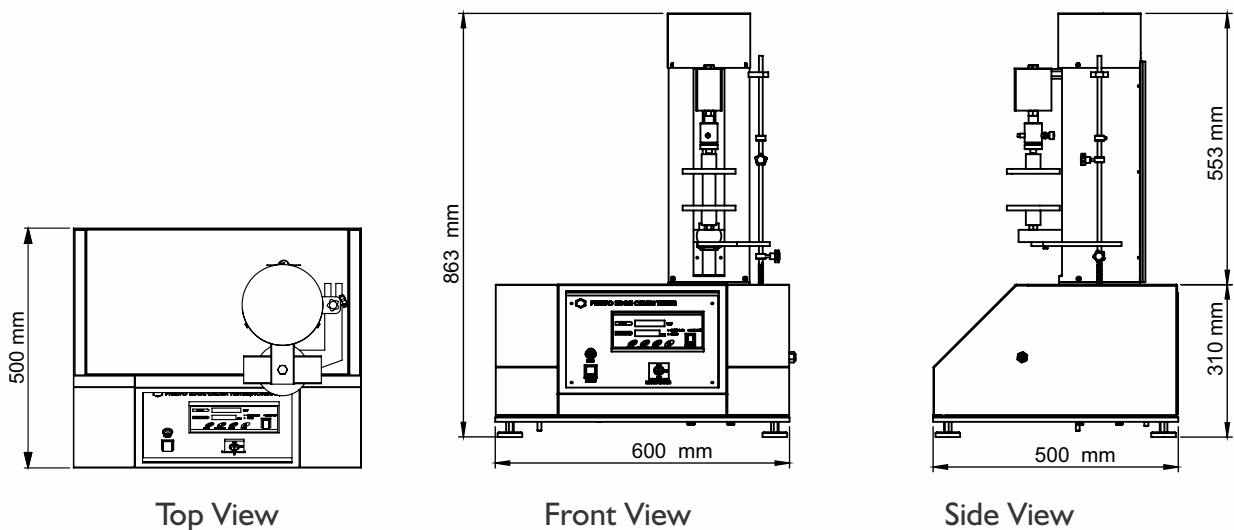


RCT/FCT/EDGE Crush Tester – Digital Cum Computerised - Wintest



Model No. PCT-100 (C) (Wintest)

RCT/FCT/Edge Crush Tester is a consistent tool to measure the crush strength of cardboard boxes and packaging containers. PRESTO RCT/FCT/Edge Crush Tester is manufactured under Test Standard IS 7063.





Presto Stantest Pvt. Ltd.

I-42, DLF Industrial Area Phase-1, Delhi Mathura Road, Faridabad 121003, Haryana, India
 P : 9210 903 903, +91 129 4272727, 93111 24302 E : info@prestogroup.com

- Faridabad • Kolkata • Mumbai • Pune • Ahmedabad
- Chennai • Bangalore • Hyderabad



Available in Digital model (with and without printer facility) also.

- Microprocessor based display for accurate test results
- Display for compression strength of test specimen
- Separate fixtures for ring crush, edge crush and flat crush test.
- Highly accurate test results under compression force
- Strong gripping clamps.
- Bright LED display
- Inbuilt calibration facility
- Feather touch controls
- Graph test report is Force Vs Time
- 10 Sample test reports can be seen on one report
- Email facility of report
- Report Available in PDF format
- Pass/Fail Criteria can be programmed
- Easy Data Management. User can create product identification, test details etc.
- Inbuilt hardware/software CD

** Computer & Printer not a part of the offer

RCT/FCT/Edge Crush Tester reveals the crushing resistance in terms of Kg/Unit length.

Optional Features:

Digital model (with or without printer facility) also available
 The Ring Crush, Edge Crush, Flat Crush Strength tester measures the rigidity of CFB on edgewise.

Key Specifications :

Load Cell Capacity	100 Kgf / 250 Kgf
Display	<ul style="list-style-type: none"> • LED (Digital) • Graphical
Accuracy	± 0.5% at full load (with master load)
Least Count/Resolution	0.01 Kgf
Power	220V , Single phase, 50 Hz
Test Speed	12.5 ± 2.5 mm/min

Highlights :

Safety Switch	Upward & Downward Limit Switches
Material	Mild Steel
Finish	Powder coated Havel Gray & Blue combination finish and bright chrome / zinc plating for corrosion resistant finish
Dimensions	600 x500 x 863 mm

Thank you customers for choosing us as your partners in growth !



*All the above logos are the sole property of their respective owners and are used purely for depiction purposes only.

OUR OTHER PRODUCTS :-

